

**By using multiple Amplified Speakers in Clusters, and a High Intensity Strobe, areas of high ambient noise can be covered in an effective, and efficient way.**

In an industrial application, where the ambient noise is high (>85dB), audible signaling is generally not sufficient. Some form of Visual signaling must be added. Standard 110cd strobes mounted 80" off the floor will cover only small areas due to visual obstructions and ambient light. By mounting High intensity strobes above the obstructions, the emergency signaling can be recognized by the industrial worker.

The **DVS-511** is an Amplified Speaker for industrial paging and emergency evacuation applications. It is powered by 24 VDC, and accepts a 25 VRMS Audio input (70 VRMS opt). The cluster of DVS-511 units can be supported or suspended by the pipe fittings, or be attached to a column using the back box screw holes.

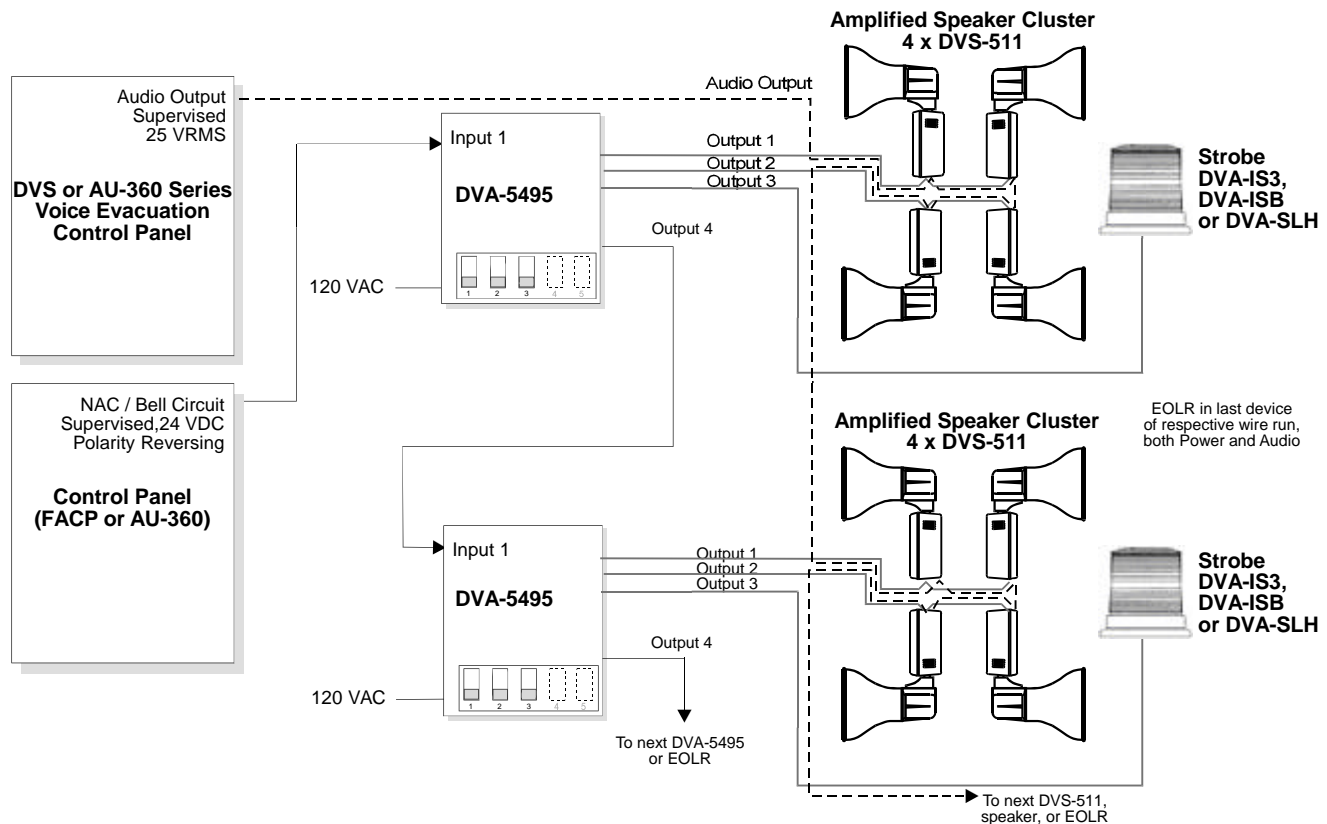
The **DVA-SLH**, **DVA-IS3** and **DVA-ISB** are high intensity strobes used to provide wide area visual signaling. The high output levels of 177, 518, and 760 respectively, are available in 5 lens colors depending upon application.

The **DVA-5495** Distributed Power Module is a notification and auxiliary power expander that provides up to 6 amps of regulated 24 VDC power. It has its own AC power connection, backup batteries, and battery charger, so it can be used in a stand alone configuration.

In a cluster arrangement, minimum wiring is required, as each PowerModule can supply current for four (4) Amplified Speakers, and one or more strobes. Two (2) outputs can power the four (4) speakers of one cluster, and the third output can power the strobe. The fourth output is used to 'daisy chain' the PowerModules, so only one (1) Bell (NAC) Circuit is required for many clusters.

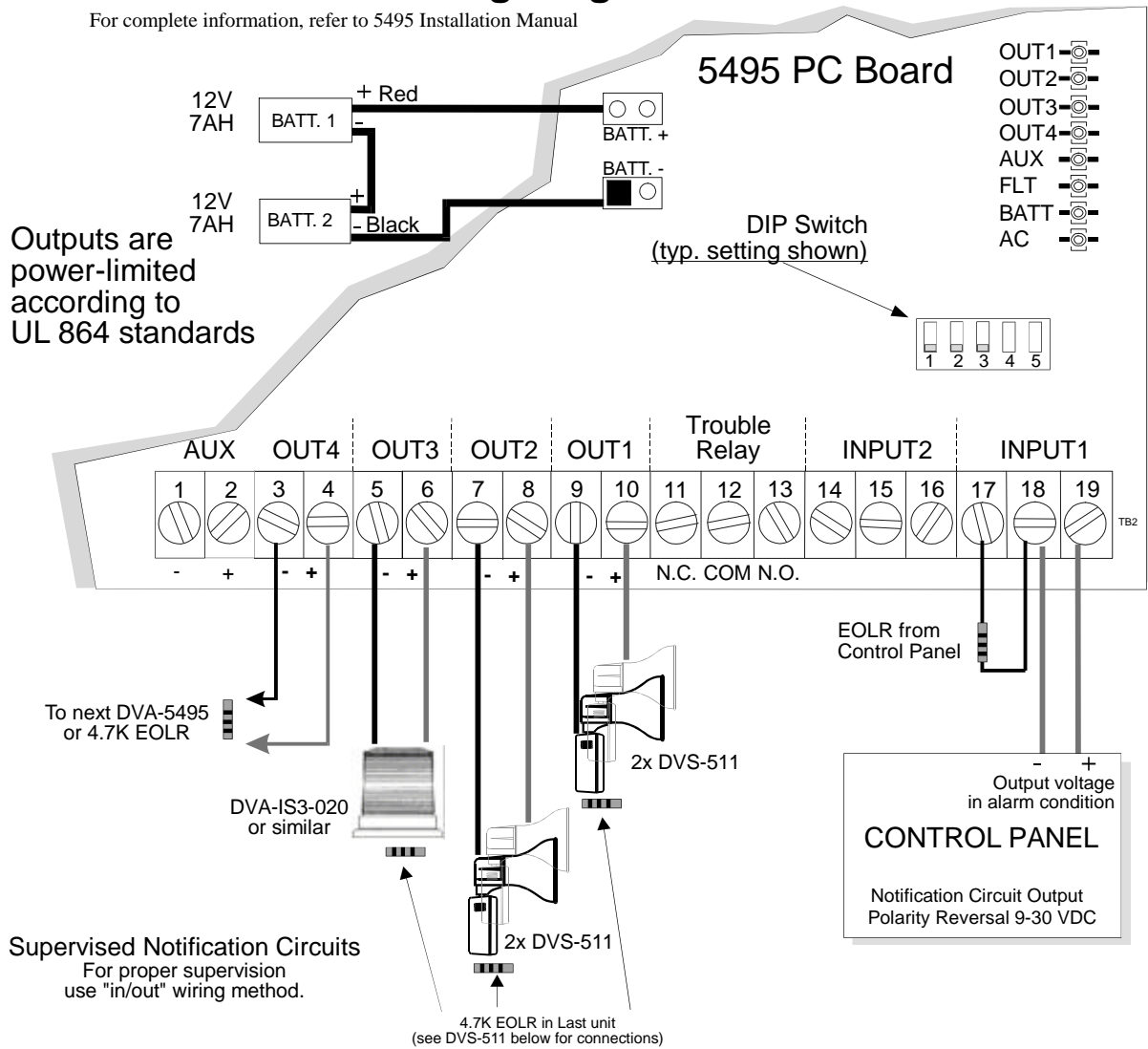
Similarly, the audio loop is wired to each cluster which picks up four (4) speakers per wire drop. The audio wiring to the next cluster can then be routed in the same path as the DC power, reducing the need for multiple drops.

This cluster arrangement is also available pre-engineered as the DVS-511-4. Any of the strobes can be added, so the unit comes pre-assembled from the factory.



# Model DVA-5495 Wiring Diagram

For complete information, refer to 5495 Installation Manual



# Model DVS-511 Wiring Diagram

For complete information, refer to DVS-511 Installation Instructions

