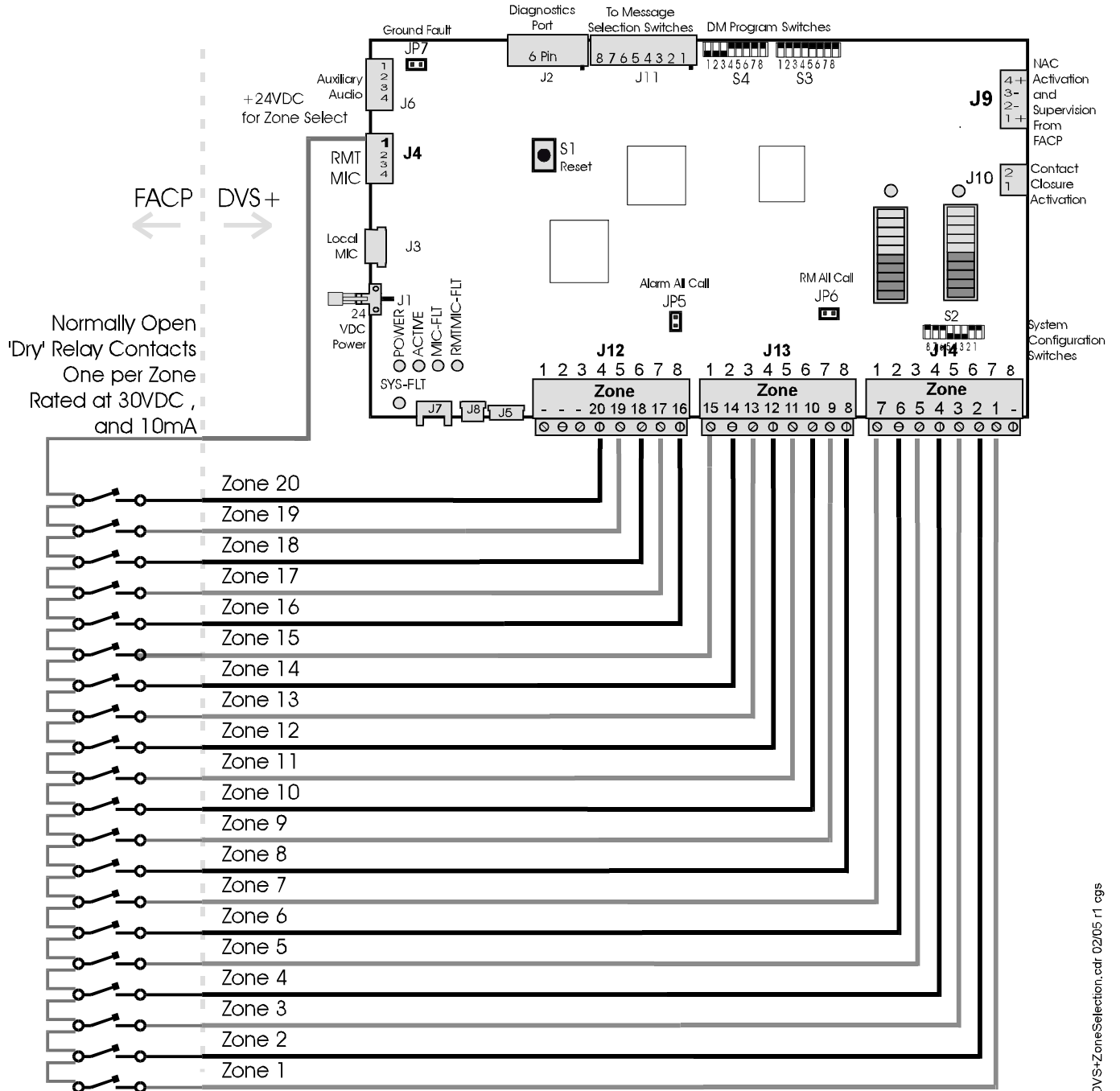




The DVS+ Series Voice Evacuation Control Panels can have 'Zone' selection for directed evacuation such as in High Rise F/A/B applications.

The control of this 'Zone' selection is dry contacts, typically relays, in the Fire Alarm Control Panel (FACP). The FACP is programmed to activate the 'Zones' as needed by the mapping of the initiating devices, to the output relays, as are other notification devices such as strobes.



an-DVS+ZoneSelection.cdr 02/05 r1 egs