

SENTRY Station Cover

*** ADA Compliant Design**



Overview

SigCom's Sentry Station cover is a rugged, poly-carbonate cover used to help protect manual pull stations and other devices from false alarms, vandalism, dust and weather. It is available in a variety of configurations to satisfy most applications.

The SENTRY is the only station cover designed specifically for compliance with all applicable ADA requirements (Americans with Disabilities Act; 28 CFR Part 36). SENTRY can be operated with just one hand and involves no tight grasping, pinching or twisting of the wrist. The force required to operate the cover has been tested by Underwriter's Labs for compliance with the 5 lbf pull force. SENTRY is uniquely designed to protrude less than 4 inches into halls, corridors, etc. no matter the height at which it is installed. Yet most surface mount pull stations are easily installed behind a SigCom Sentry Cover. When operated, the SENTRY cover lowers to a full 180° providing unobstructed access to the alarm station.

Units with the optional alarm module can be used as false alarm deterrents in applications such as: schools, libraries, etc. When installed, the alarm module will emit a piercing scream when the cover is opened. This startling noise will help to deter most malicious pranksters and to indicate the location of the problem.

A weatherproof kit is available which will allow the unit to be installed in outdoor applications. This optional kit will provide NEMA 3R protection to the device.

Features

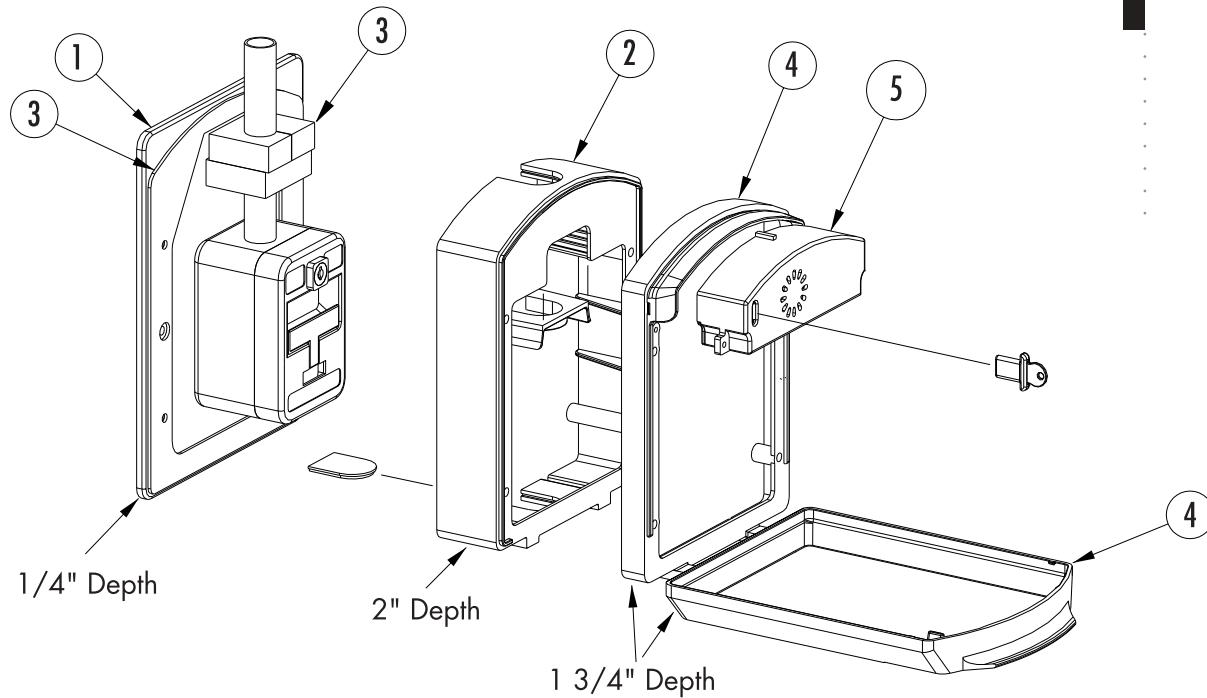
- ADA Compliant
- UL and ULC Listed
- UV Stabilized
- Alarm module w/ piercing siren (*optional*)
- Extender kit (*optional*)
- Weather kit w/ gaskets NEMA 3R (*optional*)
- Backplate for mounting on rough surfaces (*optional*)



Signal Communications Corporation

Component Detail

Item#	Description	Part#
1	Backplate Kit	ST-BKP01
2	Extender Kit	ST-XTR01
3	Weather Proof Kit	ST-WPK01
4	Front Cover Kit	ST-FRC01
5	Alarm Module Kit	ST-ALM01



- Note:
1. The SENTRY is supplied with wall anchors for installation on standard wallboard. For other types of walls, the necessary wall anchors must be provided by the installer.
 2. The SENTRY can be used to cover pull stations with maximum dimensions 5.5"W x 6"H x 1.6"D without the optional Extender kit, 5.5"W x 6"H x 3.6"D with the extender.
 3. Where used, the optional Alarm Module should be tested periodically to verify the operation of the 9V battery.

Ordering Information

Model #	Description
ST-FRC01	Front Cover Assembly
ST-ALM01	Alarm Audible Module (Optional)
ST-WPK01	Weatherproof Kit (optional)
ST-BKP01	Backplate Kit (optional)
ST-XTR01	Extender for surface mount (optional)



Signal Communications Corporation

P.O. Box 2588 Woburn, MA 01888 Tel.: 781 933 0998 Fax.: 781 933 5019

www.sigcom.com